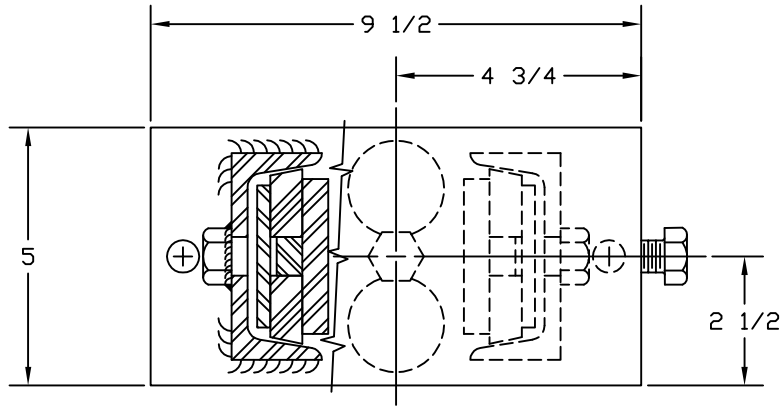
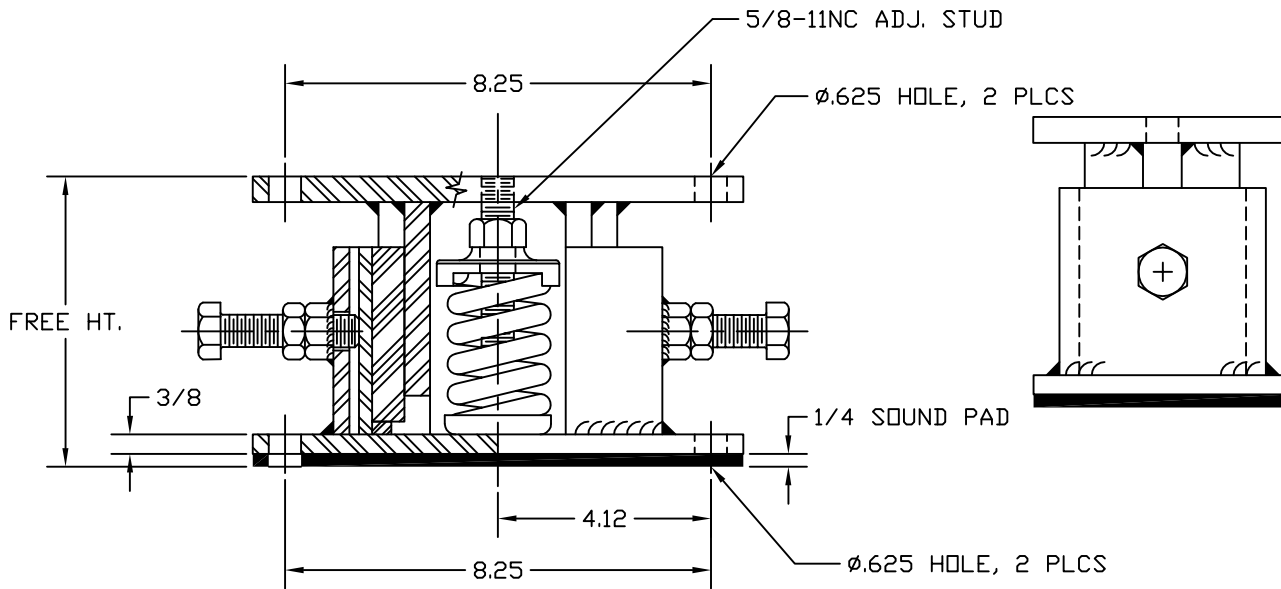


123R-103925 REV: 1

| REV. | DESCRIPTION | DATE | BY |
|------|-------------|------|----|
| | | | |



| PART NUMBER | ISOLATOR MODEL | MAX. STEADY (LBS) | MAX. IMPACT (LBS) | ISOLATOR CONSTANT (LBS) | MIN. FREE HEIGHT | COLOR CODE |
|-------------|----------------|-------------------|-------------------|-------------------------|------------------|------------|
| 605603-50 | SID-50 | 100 | △ | 50 | 6 7/8 | YELLOW |
| 605603-51 | SID-51 | 250 | △ | 125 | | ORANGE |
| 605603-52 | SID-52 | 400 | △ | 240 | | BROWN |
| 605603-53 | SID-53 | 600 | △ | 380 | | BLACK |
| 605603-54 | SID-54 | 1000 | △ | 690 | | GREEN |
| 605603-55 | SID-55 | 1400 | △ | 1120 | 5 1/2 | BLUE |
| 605603-56 | SID-56 | 2400 | △ | 3300 | | PURPLE |
| 605603-45 | SID-45 | 650 | 520 | 880 | | BROWN |
| 605603-46 | SID-46 | 900 | 720 | 1600 | 5 1/2 | RED |
| 605603-47 | SID-47 | 1200 | 960 | 2450 | | PURPLE |
| 605603-57 | SID-57 | 2200 | 1650 | 4260 | | BLUE |
| 605603-68 | SID-68 | 2600 | 2450 | 5300 | 5 7/8 | GREEN |



- NOTES:
- ALL DIMENSIONS ARE IN INCHES, INTERPRET PER ANSI Y14
 - STANDARD FINISH: CONTACT VMC FOR ADDITIONAL AVAILABILITY
 - A. STEEL WELDMENTS: STANDARD VMC COLOR
 - B. SPRING: POWDER COATED
 - C. HARDWARE: ELECTRO-ZINC PLATED
 - MINIMUM OPERATING HEIGHT IS 5 1/8" OR FREE HEIGHT MINUS SPRING DEFLECTION, WHICHEVER IS GREATER.
 - EST. UNIT WT: 30 LBS
 - △ ENGINEER REVIEW

OTHER MATERIALS, COMPOUNDS, OR FINISHES WITH EQUAL OR SUPERIOR PROPERTIES MAY BE SUBSTITUTED AS THEY BECOME AVAILABLE.

CERTIFIED FOR:

JOB NAME: _____
 CUSTOMER : _____
 CUSTOMER P.O.: _____
 SALES ORDER: _____

**MODEL SID 100-2600 LBS.
 SPRING ISOLATOR WITH
 ADJUSTABLE SNUBBER**



THE VMC GROUP
The Power of Together
 Bloomingdale, NJ 07403
 Houston, TX 77041

SCALE :

NONE

SHEET:



DRAWING NO.:

REVISION